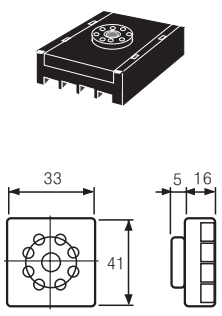
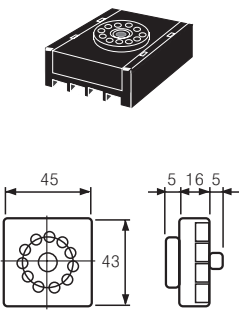
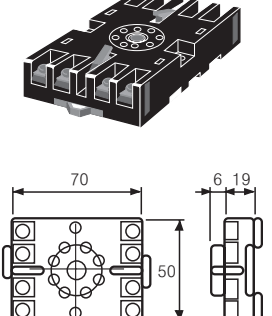
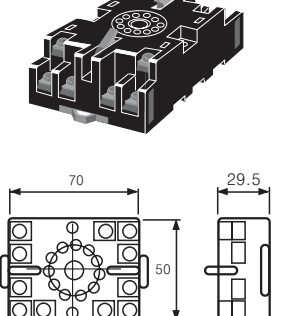


# Product Overview

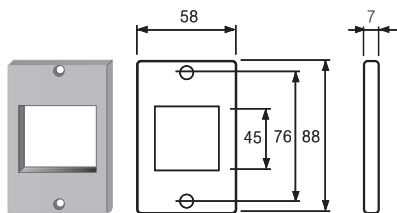
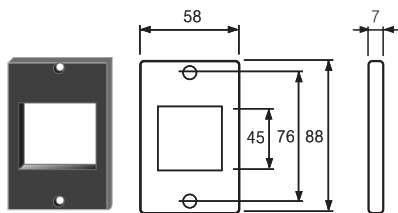
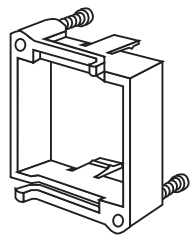
## ◎Socket

Unit:mm

| Model       | PG-08   | PG-11   | PS-08  | PS-11   |
|-------------|---|---|--|---|
| Appearances |  |  |  |  |

## ◎Adaptor & Bracket

Unit:mm

| Model       | Adaptor(FGB48)  |  | Bracket(PGB48)   |
|-------------|---|--|--|
|             | Beige   | Black  |  |
| Appearances |  |  |  |